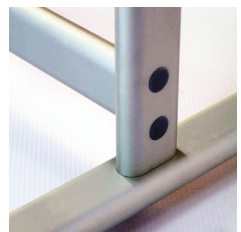
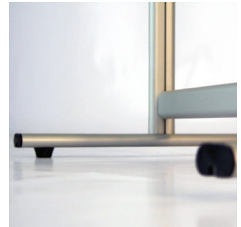
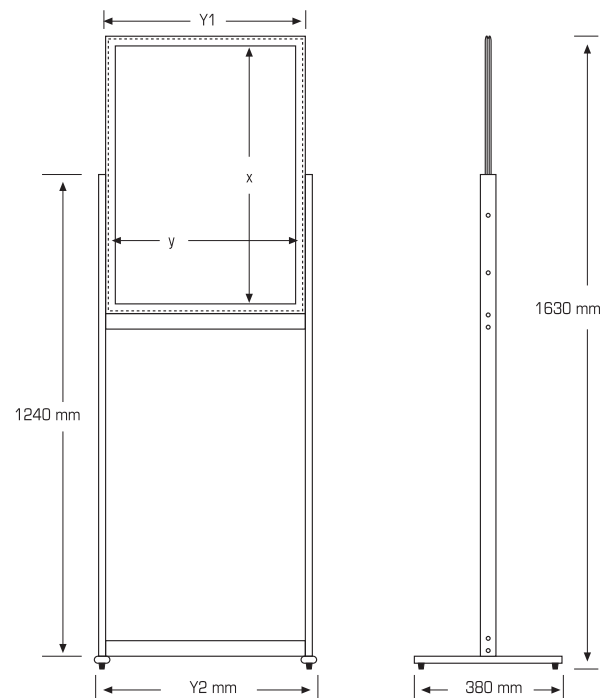




POSTER STANDS



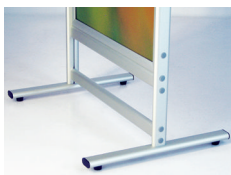
DESIGNED BY ORES, JUNE 2009



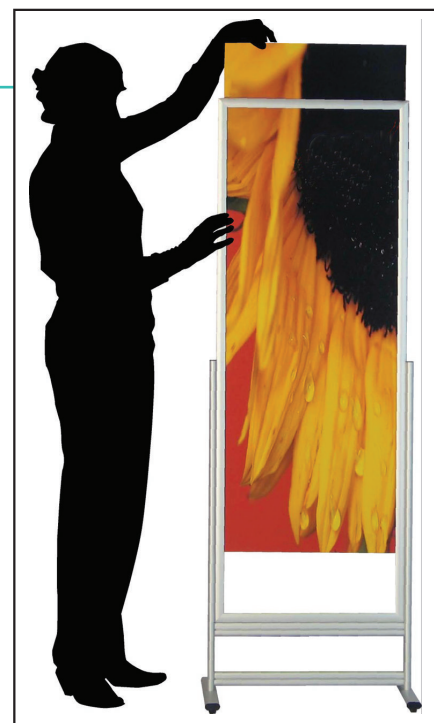
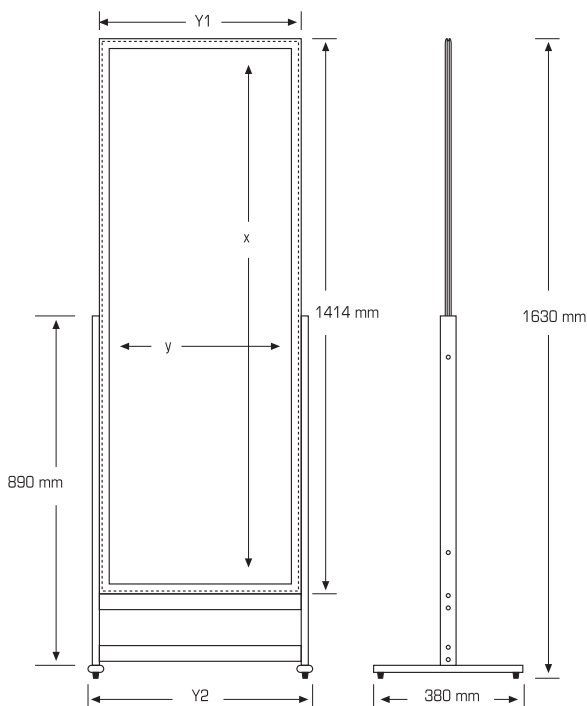
A very economic and decorative way to display your posters. Double sided presentation with 2 x non-glare PVC sheets. Natural silver anodised finish as standart. RAL colours available upon request. [!] Maximum insert thickness is 4 mm.

EXTRUSION: Silver color (anodised) aluminium

ITEM CODE	INSERT SIZE	VISIBLE AREA (y*x)	EXTERNAL SIZE (Y1)	(Y2)
PSSIF 050070	500 x 700 mm	464 x 664 mm	514 mm	572 mm
PSSIF 060084	600 x 840 mm	564 x 804mm	614 mm	672 mm



DESIGNED BY ORES, JUNE 2009



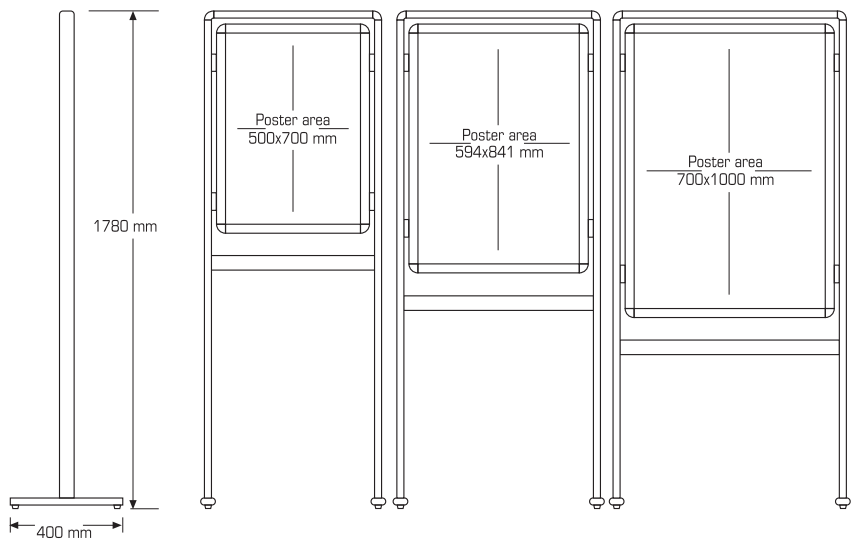
EXTRUSION: Silver color (anodised) aluminium

ITEM CODE	INSERT SIZE	VISIBLE AREA (y*x)	EXTERNAL SIZE (Y1)	(Y2)
PSSIF 050140	500 x 1400 mm	464 x 664 mm	514 mm	572 mm
PSSIF 060140	600 x 1400 mm	564 x 804mm	614 mm	672 mm

A very economic and decorative way to display your posters. Double sided presentation with 2 x non-glare PVC sheets. Natural silver anodised finish as standart. RAL colours available upon request. [!] Maximum insert thickness is 4 mm.

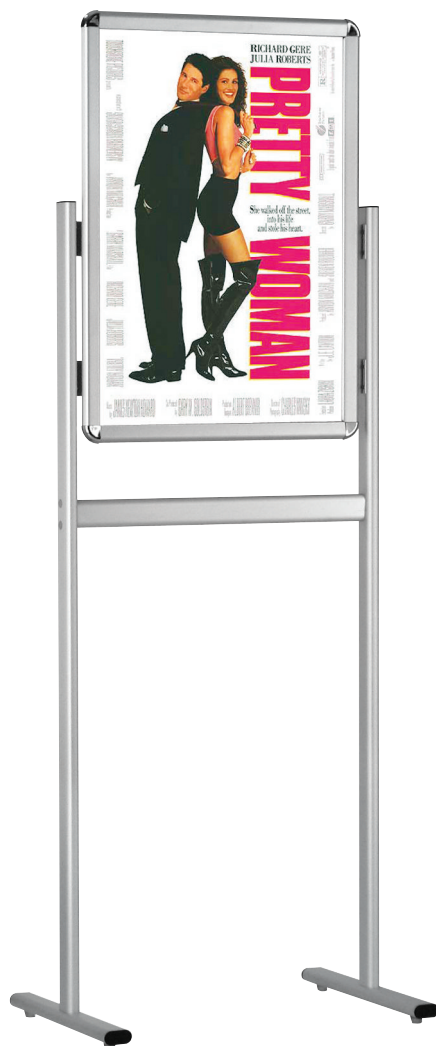


GOLDEN or WOODEN models are available on request.
(Designed and produced by ORES, May 1996)

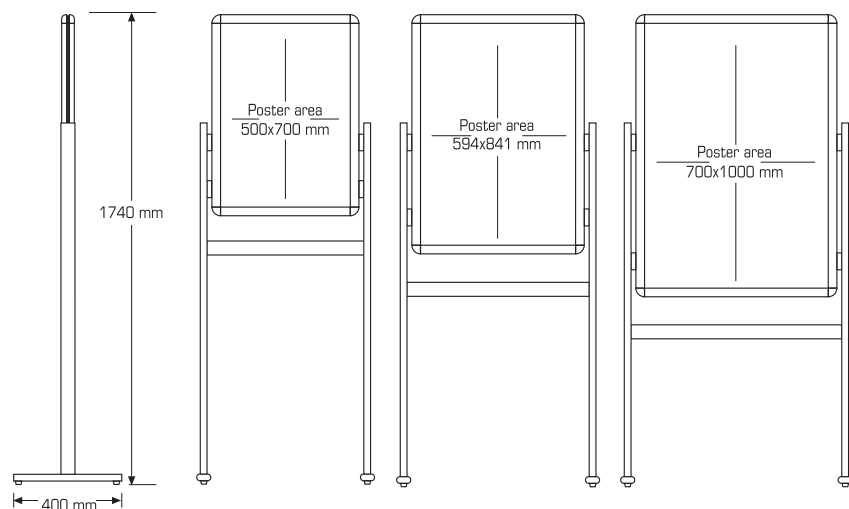


Available single or double sided upon request. Option to add wheels and acrylic shelves. Produced with 25 or 32 mm snap frames with round corners.

EXTRUSION: Silver color (anodised) aluminium				SHELVES		
FRAME PROFILE: 32 mm				MATERIAL : 4 mm Transparent Acrylic		
ITEM CODE		INSERT SIZE	EXTERNAL SIZE	ITEM CODE		Capacity
SINGLE SIDE	DOUBLE SIDE			SINGLE SIDE	DOUBLE SIDE	
PSRS 32E 050070	PSRD 32E 050070	(B2) 500 x 700 mm	620 x 1770 mm	RAF 4230		2 x A4
PSRS 32E 060084	PSRD 32E 060084	(A1) 594 x 841 mm	715 x 1770 mm	RAF 6330		3 x A4
PSRS 32E 070100	PSRD 32E 070100	(B1) 700 x 1000 mm	820 x 1770 mm		RAFD 4230	4 x A4
					RAFD 6330	6 x A4



DESIGNED BY ORES, MAY 1996



EXTRUSION: Silver color (anodised) aluminium				SHELVES			
FRAME PROFILE: 32 mm				MATERIAL : 4 mm Transparent Acrylic			
ITEM CODE		INSERT SIZE	EXTERNAL SIZE	ITEM CODE		Capacity	
SINGLE SIDE	DOUBLE SIDE			SINGLE SIDE	DOUBLE SIDE		
PSRS 32EY 050070	PSRD 32EY 050070	(B2) 500 x 700 mm	620 x 1740 mm	RAF 4230		2 x A4	
PSRS 32EY 060084	PSRD 32EY 060084	(A1) 594 x 841 mm	715 x 1740 mm	RAF 6330		3 x A4	
PSRS 32EY 070100	PSRD 32EY 070100	(B1) 700 x 1000 mm	820 x 1740 mm		RAFD 4230		4 x A4
					RAFD 6330		6 x A4

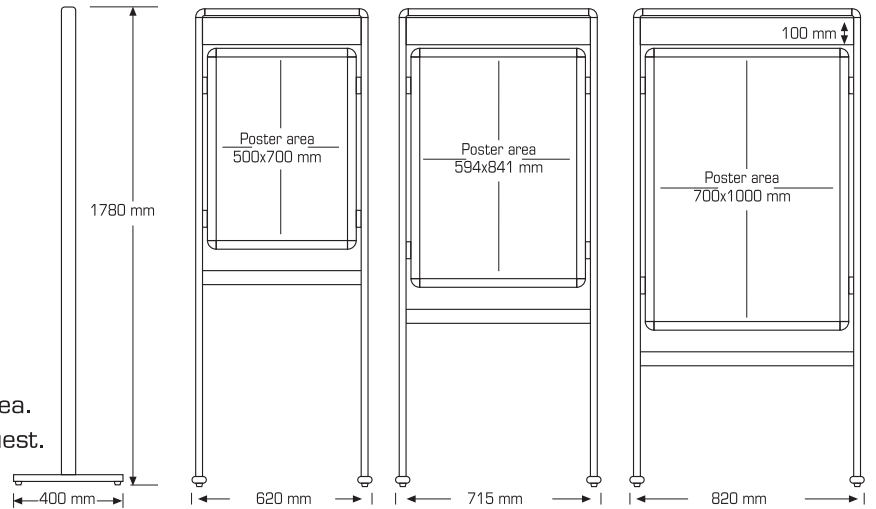
Available single or double sided upon request. Option to add wheels and acrylic shelves. Produced with 25 or 32 mm snap frames with round corners.



DESIGNED BY ORES, NOVEMBER 1996



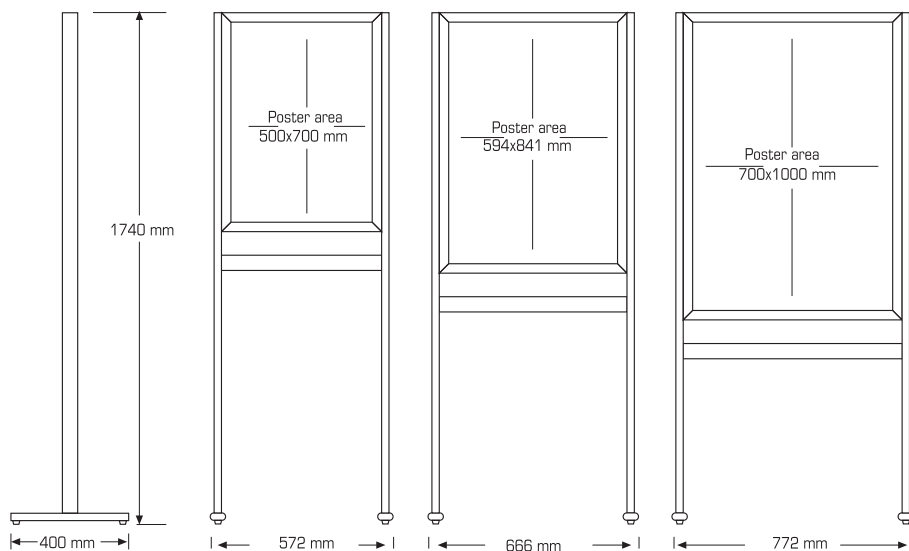
3 mm thick aluminium plate as header area.
 Available single or double sided upon request.
 Option to add wheels and acrylic shelves.
 Produced with 32 mm snap frames with round corners.



EXTRUSION: Silver color (anodised) aluminium					SHELVES		
FRAME PROFILE: 32 mm					MATERIAL : 4 mm Transparent Acrylic		
ITEM CODE		INSERT SIZE	EXTERNAL SIZE	HEADER	ITEM CODE		Capacity
SINGLE SIDE	DOUBLE SIDE				SINGLE SIDE	DOUBLE SIDE	
PSRSA 32E 050070	PSRDA 32E 050070	(B2) 500 x 700 mm	620 x 1780 mm	580 x 100 mm	RAF 4230		2 x A4
PSRSA 32E 060084	PSRDA 32E 060084	(A1) 594 x 841 mm	715 x 1780 mm	674 x 100 mm	RAF 6330		3 x A4
PSRSA 32E 070100	PSRDA 32E 070100	(B1) 700 x 1000 mm	820 x 1780 mm	780 x 100 mm		RAFD 4230	4 x A4
						RAFD 6330	6 x A4

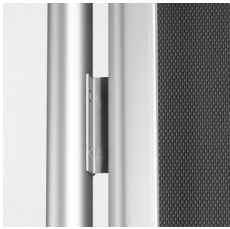
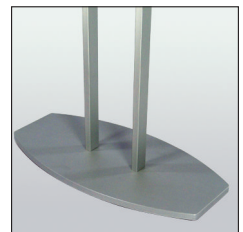


DESIGNED BY ORES, APRIL 1996

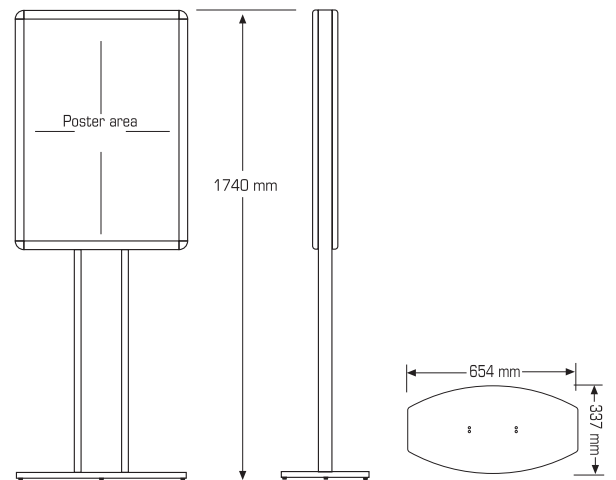


EXTRUSION: Silver color (anodised) aluminium				SHELVES			
FRAME PROFILE: 32 mm				MATERIAL : 4 mm Transparent Acrylic			
ITEM CODE		INSERT SIZE	EXTERNAL SIZE	ITEM CODE		Capacity	
SINGLE SIDE	DOUBLE SIDE			SINGLE SIDE	DOUBLE SIDE		
PSSS 32E 050070	PSSD 32E 050070	(B2) 500 x 700 mm	605 x 1740 mm	RAF 4230		2 x A4	
PSSS 32E 060084	PSSD 32E 060084	(A1) 594 x 841 mm	698 x 1740 mm	RAF 6330		3 x A4	
PSSS 32E 070100	PSSD 32E 070100	(B1) 700 x 1000 mm	805 x 1740 mm		RAFD 4230	4 x A4	
					RAFD 6330	6 x A4	

Available single or double sided upon request. Option to add wheels and acrylic shelves. Produced with 32 mm snap frames with mitred corners.

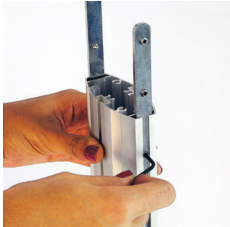
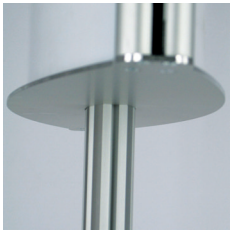


DESIGNED BY ORES, APRIL 1996

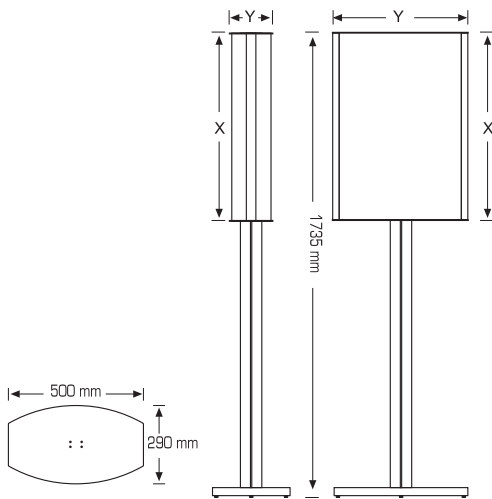


Two snap frames included for multi-directional advertising. You can utilize our sign frames, also known as sign stands, a MDF, elliptical base keeps the stands from faltering in high-traffic environments. Silver finish & sleek design coordinates with a modern decor. Frame & poster stand are made of aluminium for durability. Total height is 1740 mm, which captures customer's attention from a distance.

EXTRUSION: Silver color (anodised) aluminium		
FRAME PROFILE: 25 / 32 mm		
ITEM CODE	INSERT SIZE	EXTERNAL SIZE
PSID 32R 050070	(B2) 500 x 700 mm	605 x 1740 mm
PSID 32R 060084	(A1) 594 x 841 mm	698 x 1740 mm
PSID 32R 070100	(B1) 700 x 1000 mm	805 x 1740 mm

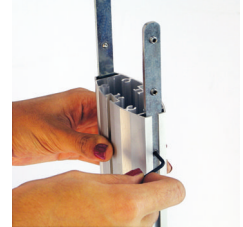
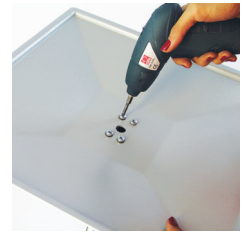


DESIGNED BY ORES, DECEMBER 2010

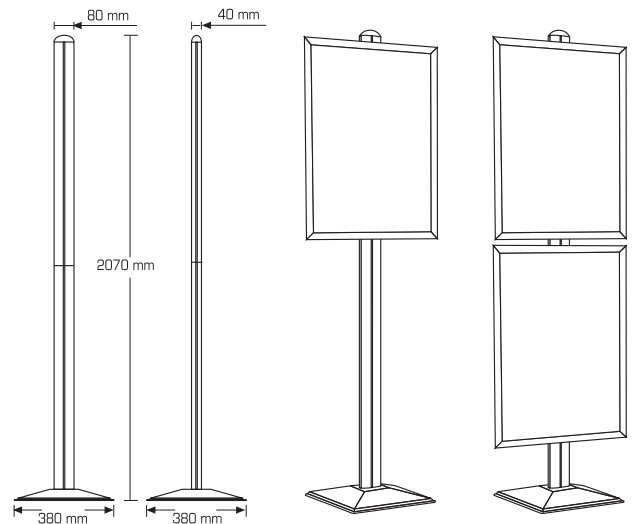


EXTRUSION: Silver color (anodised) aluminium		
BASE: MDF		
ITEM CODE	INSERT SIZE	Y*X*Z
DS 042060	(A2) 420 x 594 mm	431 x 600 x 135 mm
DS 050070	(B2) 500 x 700 mm	508 x 506 x 149 mm
DS 060084	(A1) 594 x 841 mm	608 x 847 x 160 mm
DS 042120	420 x 1200 mm	431 x 1206 x 135 mm
DS 050140	500 x 1400 mm	500 x 1406 x 149 mm

The Delta Stand has an elegant, stylish design! Versatile and space saving. This Delta Stand has two curved sides back to back. Built of sturdy, durable aluminium with silver finish. This Delta Stand, also known as a directional stand, is most effective in high traffic indoor areas like exhibition halls, lobbies, retailer stores and hotel entrances. The Delta Stand is shipped unassembled and easily assembled with the instructions included.



Post extrusion designed and produced by ORES, February 2004.



EXTRUSION: Silver color (anodised) aluminium

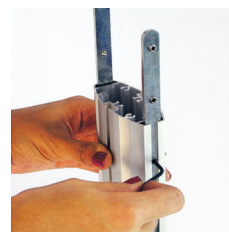
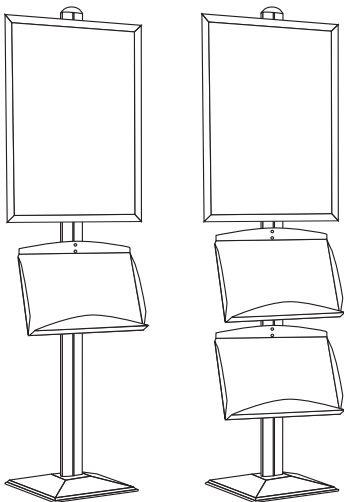
FRAME PROFILE: 25 mm - 32 mm

ITEM CODE		INSERT SIZE
SINGLE SIDE	DOUBLE SIDE	
DPR1 25 A2	DPR2 25 A2	(A2) 420 x 594 mm
DPR1 25 B2	DPR2 25 B2	(B2) 500 x 700 mm
DPR1 25 A1	DPR2 25 A1	(A1) 594 x 841 mm
DPR1 25 B1	DPR2 25 B1	(B1) 700 x 1000 mm
	DPR4 25 A2	(A2) 420 x 594 mm
	DPR4 25 B2	(B2) 500 x 700 mm
	DPR4 25 A1	(A1) 594 x 841 mm

Unique design featuring fully adjustable components.
 Multi-functional display combining snap frames with brochure holders.
 4 way post extrusion enabling different configurations.
 2 pieces post create great advantage during delivery.
 Just add a snap frame yourself to make your display double sided.

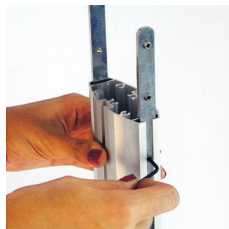
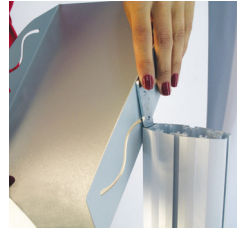
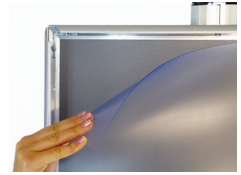


Post extrusion designed and produced by ORES, February 2004.

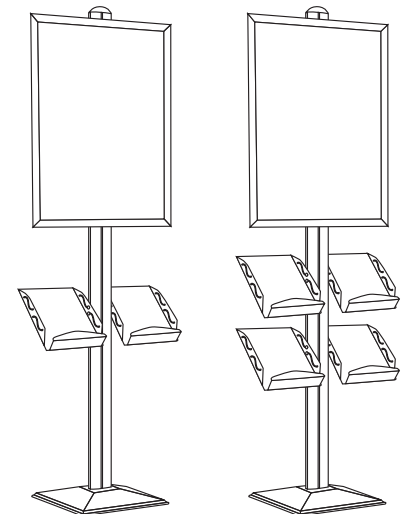


EXTRUSION: Silver color (anodised) aluminium		
FRAME PROFILE: 25 mm - 32 mm		
ITEM CODE		INSERT SIZE
SINGLE SIDE	DOUBLE SIDE	
DCR1 25 A2 1A3	DCR2 25 A2 2A3	(A2) 420 x 594 mm
DCR1 25 B2 1A3	DCR2 25 B2 2A3	(B2) 500 x 700 mm
DCR1 25 A1 1A3	DCR2 25 A1 2A3	(A1) 594 x 841 mm
DCR1 25 B1 1A3	DCR2 25 B1 2A3	(B1) 700 x 1000 mm
DCR1 25 A2 2A3	DCR2 25 A2 4A3	(A2) 420 x 594 mm
DCR1 25 B2 2A3	DCR2 25 B2 4A3	(B2) 500 x 700 mm
DCR1 25 A1 2A3	DCR2 25 A1 4A3	(A1) 594 x 841 mm
DCR1 25 B1 2A3	DCR2 25 B1 4A3	(B1) 700 x 1000 mm

Unique design featuring fully adjustable components.
 Multi-functional display combining snap frames with brochure holders.
 4 way post extrusion enabling different configurations.
 2 pieces post create great advantage during delivery.
 Create your own single or double sided display by adding mitred or round corner snap frames, A3 or A4 brochure holders.



Post extrusion designed and produced by ORES, February 2004.



Unique design features fully adjustable snap frames and brochure holders.

Stylish chrome end cap.

4 way post extrusion enabling different configurations.

Durable construction ensured by the aluminium post and 380 mm x 380 mm steel base plate.

EXTRUSION: Silver color (anodised) aluminium		
FRAME PROFILE: 25 mm - 32 mm		
ITEM CODE		INSERT SIZE
SINGLE SIDE	DOUBLE SIDE	
DCR1 25 A2 2A4	DCR2 25 A2 2A4	(A2) 420 x 594 mm
DCR1 25 B2 2A4	DCR2 25 B2 2A4	(B2) 500 x 700 mm
DCR1 25 A1 2A4	DCR2 25 A1 2A4	(A1) 594 x 841 mm
DCR1 25 B1 2A4	DCR2 25 B1 2A4	(B1) 700 x 1000 mm
DCR1 25 A2 4A4	DCR2 25 A2 4A4	(A2) 420 x 594 mm
DCR1 25 B2 4A4	DCR2 25 B2 4A4	(B2) 500 x 700 mm
DCR1 25 A1 4A4	DCR2 25 A1 4A4	(A1) 594 x 841 mm
DCR1 25 B1 4A4	DCR2 25 B1 4A4	(B1) 700 x 1000 mm